



Harsh & Hazardous

KILLARK®

Rigid/IMC Fittings

GROUNDING BUSHINGS

for Standard Location Areas



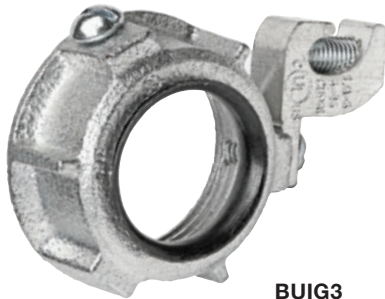
- UL and CSA compliances
- Trade sizes range from 1/2" to 6"
- Insuliner temperature rated at 150°C
- Zinc-electroplated for corrosion protection
- Minimum grounding wire capacity at #14 Sol. and Maximum of 250 MCM



RIGID/IMC

KILLARK

MALLEABLE IRON-INSULATED GROUNDING BUSHINGS



BUIG3



FEATURES-SPECIFICATIONS

Applications

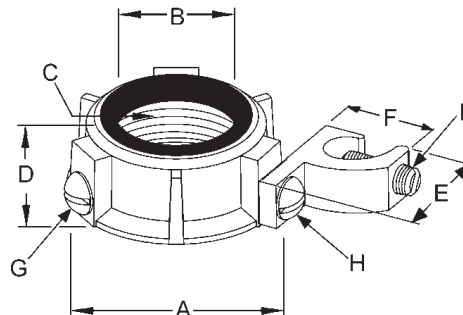
For use on threaded rigid/IMC conduit to provide a means of grounding conduit through an insulated bushing

Product Features

- Lay-in lug style provides an easy means of inserting a ground wire
- Dual rated aluminum grounding lugs may be used with copper or aluminum grounding conductors
- Insuliner temperature rated at 150°C
- Malleable construction insures mechanical protection for the raceway
- Zinc electro plated for corrosion protection

INSULATED GROUNDING BUSHINGS – LAY-IN LUG – MALLEABLE IRON				
CATALOG NUMBER	TRADE SIZE	SHIP CTN QTY	GROUNDING WIRE CAPACITY	
			MIN.	MIN.
BUIG1	1/2"	50	#14 Sol.	#4 Str.
BUIG2	3/4"	50	#14 Sol.	#4 Str.
BUIG3	1"	50	#14 Sol.	#4 Str.
BUIG4	1-1/4"	25	#14 Sol.	#4 Str.
BUIG5	1-1/2"	10	#14 Sol.	#2 Str.
BUIG6	2"	10	#14 Sol.	#2 Str.
BUIG7	2-1/2"	10	#6 Str.	250 MCM
BUIG8	3"	5	#6 Str.	250 MCM
BUIG9	3-1/2"	5	#6 Str.	250 MCM
BUIG10	4"	5	#6 Str.	250 MCM
BUIG11	5"	5	#6 Str.	250 MCM
BUIG12	6"	5	#6 Str.	250 MCM

DIMENSIONS									
CATALOG NUMBER	A	B	C	D	E	F	G SET SCREW	H PAN HEAD SCREW	I SET SCREW
BUIG1	1-5/32"	7/16"	1/2"-14 NPS	3/4"	1-1/16"	3/4"	10-32 X 1/4"	10-32 X 1/4"	14-28 X 5/8"
BUIG2	1-13/32"	11/16"	3/4"-14 NPS	3/4"	1-1/16"	3/4"	10-32 X 1/4"	10-32 X 1/4"	14-28 X 5/8"
BUIG3	1-3/4"	15/16"	1"-11-1/2 NPS	3/4"	1-1/16"	3/4"	10-32 X 1/4"	10-32 X 1/4"	14-28 X 5/8"
BUIG4	2-1/8"	1-3/16"	1-1/4"-11-1/2 NPS	3/4"	1-1/16"	3/4"	10-32 X 1/4"	10-32 X 1/4"	14-28 X 5/8"
BUIG5	2-11/32"	1-7/16"	1-1/2"-11-1/2 NPS	3/4"	1-3/8"	15/16"	5/16-24 X 17/32"	5/16-24 X 17/32"	5/16-28 X 5/8"
BUIG6	2-23/32"	1-15/16"	2"-11-1/2 NPS	3/4"	1-3/8"	15/16"	5/16-24 X 17/32"	5/16-24 X 17/32"	5/16-28 X 5/8"
BUIG7	3-9/32"	2-3/16"	2-1/2"-8 NPS	1-3/8"	2-1/4"	1-3/4"	5/16-24 X 7/16"	5/16-24 X 17/32"	9/16-18 X 1-1/4"
BUIG8	3-7/8"	2-15/16"	3"-8 NPS	1-3/8"	2-1/4"	1-3/4"	5/16-24 X 7/16"	5/16-24 X 17/32"	9/16-18 X 1-1/4"
BUIG9	4-13/32"	3-7/16"	3-1/2"-8 NPS	1-3/8"	2-1/4"	1-3/4"	5/16-24 X 7/16"	5/16-24 X 17/32"	9/16-18 X 1-1/4"
BUIG10	4-29/32"	3-7/8"	4"-8 NPS	1-3/8"	2-1/4"	1-3/4"	5/16-24 X 7/16"	5/16-24 X 17/32"	9/16-18 X 1-1/4"
BUIG11	6-1/8"	4-7/8"	5"-8 NPS	1-3/8"	2-1/4"	1-3/4"	5/16-24 X 7/16"	5/16-24 X 17/32"	9/16-18 X 1-1/4"
BUIG12	7-3/16"	5-7/8"	6"-8 NPS	1-3/8"	2-1/4"	1-3/4"	5/16-24 X 7/16"	5/16-24 X 17/32"	9/16-18 X 1-1/4"



- A = O.D.
- B = I.D
- C = Thread size
- D = Thickness
- E = Height of lug
- F = Width of lug
- G = Screw spec, bonding screw
- H = Screw spec, screw that holds lug to bushing
- I = Screw spec, screw that holds ground wire