



**KILLARK**®

# HKH Series Rocker Switch

*for Harsh and Hazardous  
Environments*



HAZCON



## SIZE 1 NON-METALLIC 2 POLE ROCKER SWITCH



**ATEX/IECEX Certified**

CE 0539 Ex II 2 G Ex de IIC T4 Gb  
 CE 0539 Ex II 2 D Ex tb IIIC T4 Db IP66  
 DEMKO 15 ATEX 1405X  
 Ex de IIC Gb  
 Ex tb IIIC Db IP66  
 IECEX UL 15.0054X  
 Ambient Range:  $-45^{\circ}\text{C} \leq T_a \leq 60^{\circ}\text{C}$

**cULus Certified**

Class I, Zone 1, AEx de IIC Gb / Ex de IIC Gb X  
 Zone 21, AEx tb IIIC Db IP66 / Ex tb IIIC Db IP66 X  
 Class I, Division 2, Groups A, B, C, D  
 Class II, Division 1, Groups E, F, G (Canada Only)  
 Class II, Division 2, Groups E, F, G  
 Class III  
 UL50, 50E, 508, UL60079-0, -1, -7, -31  
 Type 3, 4, 4X, 12, 13  
 Ambient Range:  $-45^{\circ}\text{C} \leq T_a \leq 60^{\circ}\text{C}$



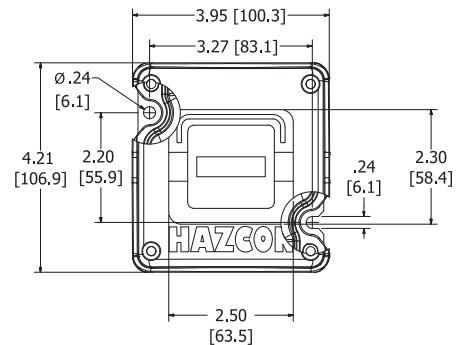
**FEATURES-SPECIFICATIONS**

# HAZCON™

Rocker Switch Single Throw Double Pole  
 Luminous fluorescent strip supplied for ease of locating.  
 One entry listed is located at bottom.

**Contact Block Features:**

- **UL Electrical Rating:** 690Vac, 20A, 50-60Hz, 60Vdc, 5A, 110Vdc, 2A, 255Vdc, 1.5A, 1/2 HP @120Vac, 1 HP@208/240/277Vac, A600/P600- Pilot Duty 350Vac- Tungsten Lamp.
- **Wire Allowances:** WIRE RANGE with 1 or 2 WIRES: #22 to #12 AWG (SOL & STR) and #10 AWG (STR).
- **IEC Electrical Ratings:** AC690V 16A AC-12, 50-60 Hz, AC230V 16A AC-15, 50-60Hz, DC60V 5A DC-12, DC125 1A DC-12.
- **Wire Allowances:** WIRE RANGE with 1 or 2 WIRES: 0.5 to 2.5mm (SOL & STR) and 4.0mm<sup>2</sup> (STR)
- Silver Alloy contacts with Gold Flashing.



Enclosure depth 4.5" (114mm)

HKH ROCKER SWITCH MAINTAINED IN 2 POSITIONS				
CATALOG NUMBER DIN RAIL MOUNT	ENTRY SIZE	CONTACT ARRANGEMENT		CONTACT BLOCKS
		IEC	NEMA	
HKH1AND2RS4K8	3/4" NPT SS HUB			2 N.O.
HKH1ANDARS4	M20 CLEARANCE HOLE			

HKH ROCKER SWITCH MAINTAINED IN 2 POSITIONS				
CATALOG NUMBER DIN RAIL MOUNT	ENTRY SIZE	CONTACT ARRANGEMENT		CONTACT BLOCKS
		IEC	NEMA	
HKH1AND2RS1K8	3/4" NPT SS HUB			1 N.C. / 1 N.O.
HKH1ANDARS1	M20 CLEARANCE HOLE			

HKFL-HKHRKR 05-16 © Killark, 2016